

Cisco 10012uBR CMTS: Wiring the Beast...

By Brian Wilson

CISSP, CCNA, CCSE, CCAI, MCP, JNCIA, Network+, Security+

Slimjim100@slimjim100.com



Front Cisco uBR10012

Back Cisco uBR10012

[Interactive Model of the Cisco uBR10012 Universal Broadband Router](#)

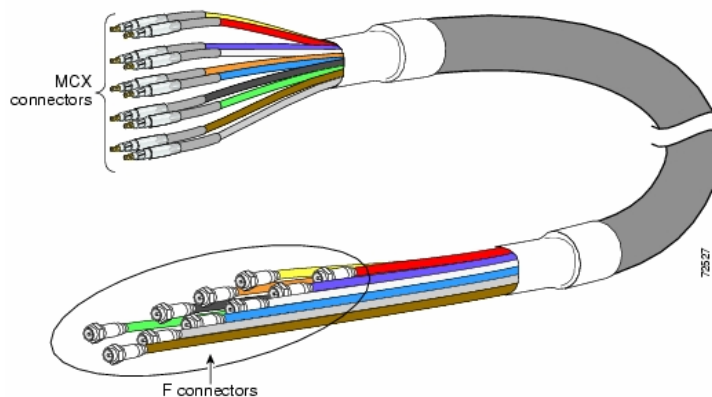
Installing a new Cisco 10k can be a pain in it's own but with the micro (MCX) RF cabling and the DIY cable kits your frustration can peak out. I wanted to make a post with links and info on wiring the Cisco 10K for those that may of not had the fun of this special experience.

What cable set did I order or do I need?

Here are some of the choices:

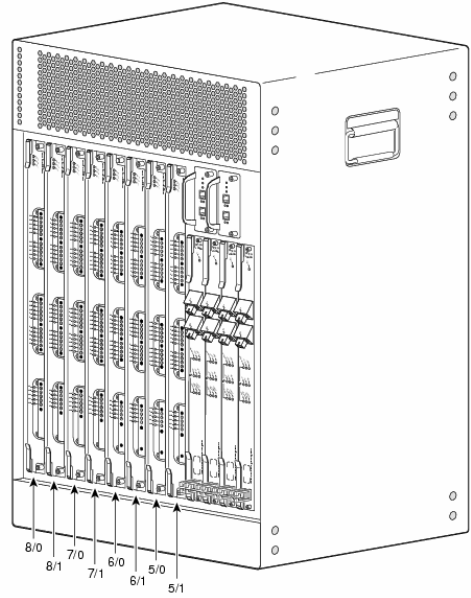
- Dual-shielded cables
- Quad-shielded cables

Now when you order your cable you will hopefully get the 10 color kit but some time you will end up with the 5 color kit which is harder to get used too.

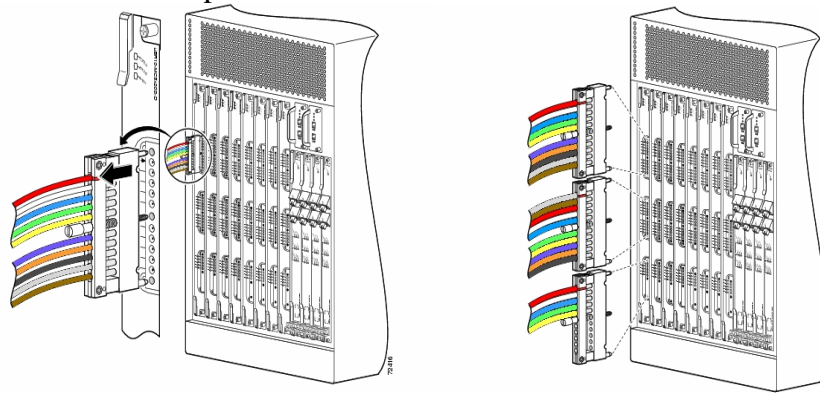


This is a picture from Cisco's site of the 10 color cable

The back of the 10K with line cards looks like this:



Here is a picture of how the cable connects to the 10K



Now for the recommended wiring of the cable kits:

10 color cable kits

Universal Cable Holder (1)			Universal Cable Holder (2)			Universal Cable Holder (3)		
Line Card Port	Cable Color	RF Switch User Defined	Line Card Port	Cable Color	RF Switch User Defined	Line Card Port	Cable Color	RF Switch User Defined
US0	Red		US10	Grey		DS0	Red	
US1	White		US11	Brown		DS1	White	
US2	Blue		US12	Red		DS2	Blue	
US3	Green		US13	White		DS3	Green	
US4	Yellow		US14	Blue		DS4	Yellow	

US5	Violet		US15	Green		—	—	
US6	Orange		US16	Yellow		—	—	
US7	Black		US17	Violet		—	—	
US8	Gray		US18	Orange		—	—	
US9	Brown		US19	Black		—	—	

5 color cable kits

Universal Cable Holder (1)			Universal Cable Holder (2)			Universal Cable Holder (3)		
Line Card Port	Cable Color	RF Switch User Defined	Line Card Port	Cable Color	RF Switch User Defined	Line Card Port	Cable Color	RF Switch User Defined
US0	Red		US10	Red		DS0	Red	
US1	White		US11	White		DS1	White	
US2	Blue		US12	Blue		DS2	Blue	
US3	Green		US13	Green		DS3	Green	
US4	Yellow		US14	Yellow		DS4	Yellow	
US5	Red		US15	Red		—	—	
US6	White		US16	White		—	—	
US7	Blue		US17	Blue		—	—	
US8	Green		US18	Green		—	—	
US9	Yellow		US19	Yellow		—	—	

All information in this post is from Cisco's website and the full document can be found here: <http://www.cisco.com/univercd/cc/td/doc/product/cable/ubr10k/ubr10012/frus/ubrmc520.htm>